



Silver Core Curriculum (GE) Requirements

Subject	Credits	Courses	Completed
English <i>(CO1, 3)</i>	3-8	ENG 101 <i>or</i> ENG 100i ENG 102	_____
Mathematics <i>(CO2)</i>	3-6	MATH 126EE, MATH 126E <i>or</i> MATH 126 MATH 176	_____
Natural Science <i>(CO4L, CO4)</i>	6-8	CO4L course CO4L <i>or</i> CO4 course	_____
Humanities <i>(CO5)</i>	3	CH 201, 202, <i>or</i> 212 <i>Completed @ UNR or TMCC Only</i>	_____
Social Science	6	ANTH 101, BUS 101, FIN 101, ENT 200, PSC 211, PSC 231, PSY 101, SOC 101	_____
Fine Arts <i>(CO7)</i>	3	Search "Core Fine Arts" at www.unr.edu	_____
Constitution <i>(CO8)</i>	3	CH 203 <i>Completed @ UNR or TMCC Only</i>	_____
Speech Course	3	COM 101, 113, 217 <i>or</i> 329	_____

Pre-Business Core

Subject	Credits	Courses	Completed
Accounting	6	ACC 201 ACC 202	_____
Economics	6	ECON 102 <i>(CO6)</i> ECON 103	_____
Statistics	6	ECON 261 ECON 262	_____
Information Systems	3	IS 101	_____
Mathematics <i>(Counted in Core)</i>		MATH 176	<i>(Counted in Core)</i>
Marketing	3	MKT 210	_____

Electives **20 Classes**

Electives	0-9	Nonbusiness <i>or</i> business	Note: Electives may be needed to meet the <i>minimum</i> graduation requirement of 120 credits
-----------	-----	-----------------------------------	---

Four-Year Credit Requirement: Half of the total credits required for this degree (60/120) must be completed at UNR or another regionally accredited, four-year institution.

Visit <http://catalog.unr.edu> for detailed Silver Core Curriculum, Graduation Requirements, and Course Descriptions. Contact the Student Success Center at (775) 784-4912 for more information.

Upper-Division COB/Core Requirements

Subject	Credits	Courses	Completed
Finance	3	FIN 301	_____
Writing	3	MGT 321 <i>or</i> ENG 321	_____
Information Systems	3	IS 301 <i>Completed @ UNR Only (CO9) & Bridge Course</i>	_____
Economics	3	ECON 304	_____
Management	9	MGT 323 <i>Bridge Course</i> MGT 325 <i>Bridge Course</i> MGT 496 <i>Completed @ UNR Only (CO12, 13, 14)</i>	_____
Supply Chain Management	3	SCM 352	_____
Diversity and Equity <i>(CO10)</i>	3	ECON 334 <i>or</i> ECON 442 <i>Completed @ UNR Only</i>	_____
International Business <i>(CO11)</i>	3	FIN 308 <i>Completed @ UNR Only</i>	_____

FIN Major Requirements

Subject	Credits	Courses	Completed
Finance	6	FIN 307 FIN 404 <i>(CO9)</i>	_____
Upper-Division Finance Electives	15	ECON 441, FIN 321, FIN 322, FIN 406, FIN 410, FIN 415, FIN 419, FIN 420, FIN 421, FIN 430, FIN 490 <i>or</i> FIN 493** <i>**Course can be taken twice when selecting different topics.</i>	_____
Emphasis*	6	See Emphasis Requirements Below	_____

19 Classes

***Emphasis Requirements** (Choose **ONE** option):

Option #1: Accounting Emphasis

The following two courses (six credits) are required:

- ACC 401 and ACC 402

Option #2: Economics Emphasis

Two courses (six credits) from the following are required:

- ECON 302 *and*
- ECON 303 *or* ECON 463

Course Sequencing and Pre-Requisites on Back. Please flip over.



This resource is not intended to substitute for Academic Advisement. Students are still encouraged to meet with their advisors, and are ultimately responsible for checking their MyNEVADA Academic Requirements report to ensure all degree and graduation requirements are met. (Go to: Student Center Dashboard > My Academics > Academic Requirements)

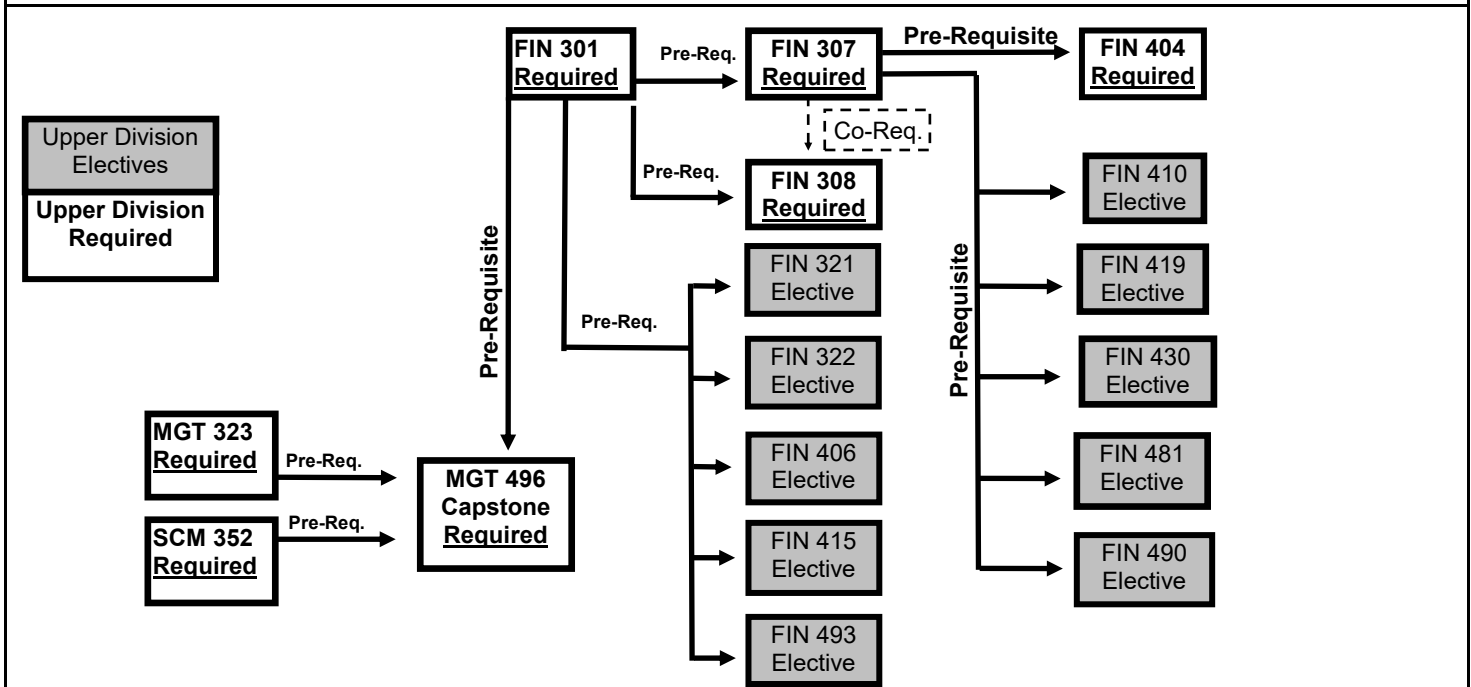
FOUR SEMESTER – COURSE PLANNING IDEAS

<p>Ideal 1st Semester JR *FIN 301 MGT 325 ECON 334 or 442 SCM 352 IS 301</p>	<p>Ideal 2nd Semester JR *FIN 307 FIN 308 FIN Elect.—Any MGT 323 ACC 401 or ECON 302</p>
<p>Ideal 1st Semester SR FIN 404 FIN Elect.—Any FIN Elect.—Any MGT 321 ACC 402 or ECON 303 or 463</p>	<p>Ideal 2nd Semester SR MGT 496 FIN Elect.—Any FIN Elect.—Any ECON 304 Gen. Elect.—If needed</p>

ADVISING TAKEAWAYS

- FIN 307 should be taken immediately after taking FIN 301
- Start working on your FIN electives as soon as possible; do not wait until your last semester to take all of them!
- **FIN 493 courses** may be taken two times and can be used as an upper-division FIN elective, as long as they are different topics

FINANCE MAJOR CLASS PRE-REQUISITE FLOW CHART



ALL MAJORS

Enrolling in your MGT 496 Strategic Management Capstone Course

- Typically taken in your last semester
- Prerequisites: ENG 102; CH 201 or CH 202 and CH 203, MGT 323, FIN 301, SCM 352

Graduation Requirements

- 120+ credits earned to meet Bachelor's degree requirements
- 2.0+ UNR, Cumulative, Major, AND Minor GPAs
- 30+ upper-division credits earned at UNR
- 40+ upper-division credits required for degree
- 60+ credits earned at a four-year institution (TRANSFER students – this especially applies to you!)**

Applying for Graduation

Eligible students **must** submit graduation applications in MyNEVADA by:

- March 1 for Spring graduation (application opens November 1)
- June 1 for Summer graduation (application opens March 21)
- October 1 for Fall graduation (application opens April 1)