



Math and English Core Curriculum Requirements

Initial placement into Math and English courses is determined by ACT/SAT/ALEKS scores or equivalent previous course work completed at a transfer institution. For course placement information, search for "Course Placement" at www.unr.edu.

Core English <i>(CO1, CO3)</i>	3-8 Units	ENG 101: Composition I or ENG 100 or ENG 100i ENG 102: Composition II	_____
Core Math <i>(CO2)</i>	3-6 Units	MATH 126 or Math 126E & 26B or Math 126EE & Math 26C : (<i>C or above required for MATH 176</i>) MATH 176: Introductory Calculus for Business and Social Sciences <i>(MATH 176 is the only required Math course for Business majors; MATH 181 can be substituted)</i>	_____ _____

PRE-BUSINESS CORE

Pre-Business students must complete these nine Pre-Business Core courses **and** have a 2.0+ UNR GPA to apply to the Business major. Admission to a Business major is required to take upper-division Business coursework.
(DEADLINES TO APPLY: October 1 for Spring admission; March 1 for Fall admission)

Accounting	6 Units	ACC 201: Financial Accounting (Prerequisite: Core Math and Soph. Standing) ACC 202: Managerial Accounting (Prerequisite: ACC 201, IS 101)	Sophomore - 1st semester Sophomore - 2nd semester	_____ _____
Economics	6 Units	ECON 102: Principles of Microeconomics <i>(CO6)</i> (Co-requisite: MATH 126) ECON 103: Principles of Macroeconomics (Prerequisite: ECON 102)	Freshman or Sophomore Year	_____ _____
Statistics	6 Units	ECON 261: Principles of Statistics I (Prerequisite: MATH 126, IS 101) ECON 262: Principles of Statistics II (Prerequisite: ECON 261, IS 101)	Sophomore - 1st semester Sophomore - 2nd semester	_____ _____
Information Systems	3 Units	IS 101: Introduction to Information Systems	Freshman Year	_____
Math	Counted Above	MATH 176: Introductory Calculus for Business and Social Sciences <i>(MATH 181 can be substituted for this course)</i>	Freshman Year	_____
Marketing	3 Units	MKT 210: Marketing Principles	Freshman or Sophomore Year	_____

Additional Silver Core Curriculum (General Education) Requirements for Pre-Business Majors

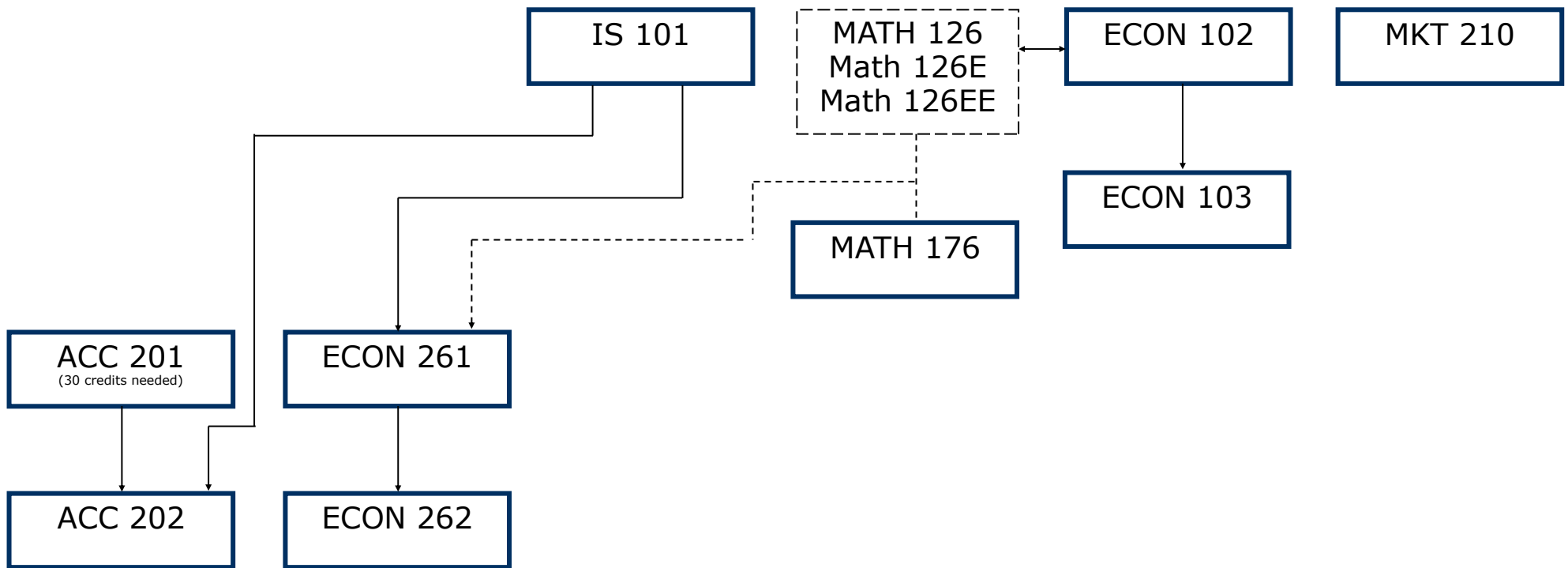
Natural Science <i>(CO4L, CO4)</i>	6-8 Units	Students must complete TWO Core Natural Science classes. <u>At least one</u> must be designated as a CO4L class, and a second must be designated as either a CO4L or CO4 class. For a list of Core Natural Science classes, search "CO4-Physical & Natural Phenomena" at catalog.unr.edu . CO4L + CO4 (OK) CO4L + CO4L (OK) CO4 + CO4 (NOT OK)	_____ _____
Humanities <i>(CO5)</i>	3 Units	Students must complete ONE History & Culture class from the following (Prerequisite: ENG 101): CH 201: Ancient and Medieval Cultures CH 202: The Modern World <i>Completed @ UNR or TMCC Only</i>	_____
Fine Arts <i>(CO7)</i>	3 Units	Students must complete ONE Fine Arts class. For a list of Core Fine Arts classes, search "CO7-Artistic Composition, Interpretation, and Expression" at catalog.unr.edu .	_____
Constitution <i>(CO8)</i>	3 Units	CH 203: American Experiences and Constitutional Change (Prerequisite ENG 101) For Students with AP/Transfer Credits See below and CONSULT ADVISOR HIST 101 AND PSC 100 (1 credit course) PSC 101 AND PSC 100 (1 credit course)	_____
Social Science	6 Units	<i>In addition to ECON 102 and 103, students must complete TWO additional classes from the following:</i> ANTH 101, BUS 101, ENT 200, PSC 211, PSC 231, PSY 101, SOC 101	_____ _____
Speech Course	3 Units	Students must complete ONE Communication Studies class from the following: COM 101, 113, 217 or 329	_____

Course flow chart and additional info on back.
Please flip over.



UNR College of Business

Pre-Business Major Course Flowchart



ALL MAJORS

Graduation Requirements

- 120+ credits earned to meet Bachelor's degree requirements
- 2.0+ UNR, Cumulative, Major, AND Minor GPAs
- 30+ upper-division credits earned at UNR
- 40+ upper-division credits required for degree
- 60+ credits earned at a four-year institution (TRANSFER students – this especially applies to you!)**

Applying To Your Major

Eligible students **must** submit applications by the deadlines below.

- October 1 for Spring Start (application opens September 1)
- March 1 for Summer/Fall Start (application opens February 1)