



Math and English Core Curriculum Requirements

Initial placement into Math and English courses is determined by ACT/SAT/ACCUPLACER scores or equivalent previous course work completed at a transfer institution. For course placement information, search for "Course Placement" at www.unr.edu.

Core English (CO1, CO3)	3-8 Units	ENG 101: Composition I or ENG 100J: Composition Studio ENG 102: Composition II	_____
Core Math (CO2)	3-6 Units	MATH 126: Precalculus I or MATH 126E: Precalculus I Expanded (C- or above required for MATH 176) MATH 176: Introductory Calculus for Business and Social Sciences (MATH 176 is the only required Math course for Business majors; MATH 181 can be substituted)	_____ _____

PRE-BUSINESS CORE

Pre-Business students must complete these nine Pre-Business Core courses **and** have a 2.0+ UNR GPA to apply to the Business major. Admission to a Business major is required to take upper-division Business coursework.
(DEADLINES TO APPLY: October 1st for Spring admission; March 1st for Fall admission)

Accounting	6 Units	ACC 201: Financial Accounting (Prerequisite: Completion of 30 credits) ACC 202: Managerial Accounting (Prerequisite: ACC 201, IS 101)	Sophomore - 1st semester Sophomore - 2nd semester	_____ _____
Economics	6 Units	ECON 102: Principles of Microeconomics (CO6) (Co-requisite: MATH 126) ECON 103: Principles of Macroeconomics (Prerequisite: ECON 102)	Freshman or Sophomore Year	_____ _____
Statistics	6 Units	ECON 261: Principles of Statistics I (Prerequisite: MATH 126, IS 101) ECON 262: Principles of Statistics II (Prerequisite: ECON 261, IS 101)	Sophomore - 1st semester Sophomore - 2nd semester	_____ _____
Information Systems	3 Units	IS 101: Introduction to Information Systems	Freshman Year	_____
Math	Counted Above	MATH 176: Introductory Calculus for Business and Social Sciences (MATH 181 can be substituted for this course)	Freshman Year	_____
Marketing	3 Units	MKT 210: Marketing Principles	Freshman or Sophomore Year	_____

Additional Silver Core Curriculum (General Education) Requirements for Pre-Business Majors

Natural Science (CO4L, CO4)	6-8 Units	Students must complete TWO Core Natural Science classes. <u>At least one</u> must be designated as a CO4L class, and a second must be designated as either a CO4L or CO4 class. For a list of Core Natural Science classes, search "CO4-Physical & Natural Phenomena" at catalog.unr.edu . CO4L + CO4 (OK) CO4L + CO4L (OK) CO4 + CO4 (NOT OK)	_____ _____
Humanities (CO5)	3 Units	Students must complete ONE History & Culture class from the following (Prerequisite: ENG 101): CH 201: Ancient and Medieval Cultures CH 202: The Modern World CH 212: Science, Technology, and Society in the Modern Era <i>Completed @UNR or TMCC Only</i>	_____
Fine Arts (CO7)	3 Units	Students must complete ONE Fine Arts class. For a list of Core Fine Arts classes, search "CO7-Artistic Composition, Interpretation, and Expression" at catalog.unr.edu .	_____
Constitution (CO8)	3 Units	CH 203: American Experiences and Constitutional Change (Prerequisite ENG 101) <i>Completed @UNR or TMCC Only</i>	_____
Social Science	6 Units	In addition to ECON 102 and 103, students must complete TWO additional classes from the following: ANTH 101, BUS 101, Fin 101, ENT 200, PSC 211, PSC 231, PSY 101, SOC 101	_____ _____
Speech Course	3 Units	Students must complete ONE Communication Studies class from the following: COM 101, 113, 217 or 329	_____

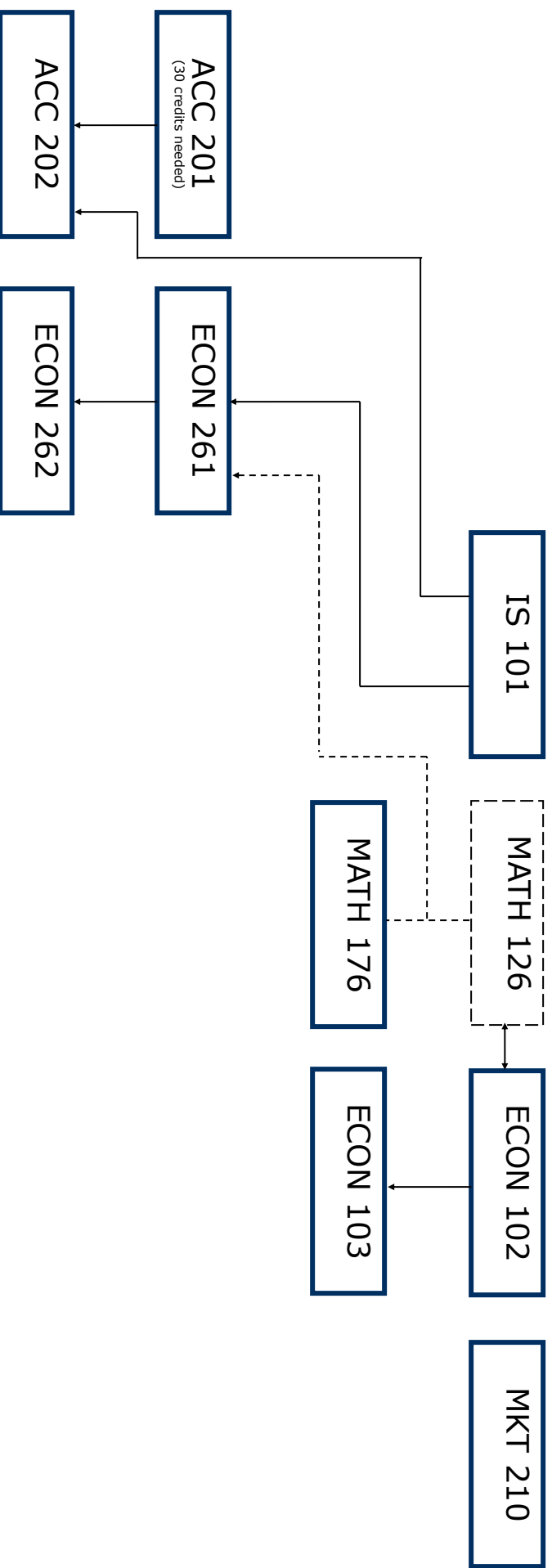
Visit <http://catalog.unr.edu> for detailed Silver Core Curriculum and Graduation Requirements, and Course Descriptions. Contact the COB Student Success Center at (775) 784-4912 for more information.

Course Flow Chart and Additional Info on Back. Please flip over.



UNR College of Business

Pre-Business Major Course Flowchart



ALL MAJORS

Graduation Requirements

- 120+ credits earned to meet Bachelor's degree requirements
- 2.0+ UNR, Cumulative, Major, AND Minor GPAs
- 30+ upper-division credits earned at UNR
- 40+ upper-division credits required for degree
- 60+ credits earned at a four-year institution (TRANSFER students – this especially applies to you!)**

Applying To Your Major

Eligible students **must** submit applications by the deadlines below.

- October 1st for Spring Start (application opens September 1st)
- March 1st for Summer/Fall Start (application opens February 1st)