



**Silver Core Curriculum (GE) Requirements**

Subject	Credits	Courses	Completed
English <i>(CO1, 3)</i>	3-8	ENG 101 or ENG 100J ENG 102	_____
Mathematics <i>(CO2)</i>	3-6	MATH 126 or MATH 126E MATH 176	_____
Natural Science <i>(CO4L, CO4)</i>	6-8	CO4L course CO4L or CO4 course	_____
Humanities <i>(CO5)</i>	3	CH 201, 202, or 212 <i>Completed @UNR or TMCC Only</i>	_____
Social Science	6	ANTH 101, BUS 101, Fin 101, ENT 200, PSC 211, PSC 231, PSY 101, SOC 101	_____
Fine Arts <i>(CO7)</i>	3	Search "Core Fine Arts" at www.unr.edu	_____
Constitution <i>(CO8)</i>	3	CH 203 <i>Completed @UNR or TMCC Only</i> <i>*AP History Scores—Consult Advisor First</i>	_____
Speech Course	3	COM 101, 113, 217 or 329	_____

**Pre-Business Core**

Subject	Credits	Courses	Completed
Accounting	6	ACC 201 ACC 202	_____
Economics	6	ECON 102 <i>(CO6)</i> ECON 103	_____
Statistics	6	ECON 261 ECON 262	_____
Information Systems	3	IS 101	_____
Mathematics <i>(Counted in Core)</i>		MATH 176	<i>(Counted in Core)</i>
Marketing	3	MKT 210	_____

**Electives**

**20 Classes**

Electives	0-9	Nonbusiness or business	<b>Note:</b> Electives may be needed to meet the <i>minimum</i> graduation requirement of 120 credits
-----------	-----	-------------------------	---

**Four-Year Credit Requirement:** Half of the total credits required for this degree (60/120) must be completed at UNR or another regionally accredited, four-year institution.

Visit <http://catalog.unr.edu> for detailed Silver Core Curriculum and Graduation Requirements, and Course Descriptions.  
Contact the Student Success Center at (775) 784-4912 for more information.

**Upper-Division COB/Core Requirements**

Subject	Credits	Courses	Completed
Finance	3	FIN 301	_____
Writing	3	MGT 321 or ENG 321	_____
Information Systems	3	IS 301 <i>Completed @ UNR Only (CO9) &amp; Bridge Course</i>	_____
Economics	3	ECON 304	_____
Management	9	MGT 323 <i>Bridge Course</i> MGT 325 <i>Bridge Course</i> MGT 496 <i>Completed @ UNR Only (CO12, 13, 14)</i>	_____
Supply Chain Management	3	SCM 352	_____
Diversity and Equity <i>(CO10)</i> <i>Completed @UNR Only</i>	3	ECON 334 or ECON 442	_____
International Business <i>(CO11)</i> <i>Completed @UNR Only</i>	3	FIN 308	_____

**FIN Major Requirements**

Subject	Credits	Courses	Completed
Finance	6	FIN 307 FIN 404 <i>(CO9)</i>	_____
Upper-Division Finance Electives	15	ECON 441, Fin 406, FIN 410, FIN 415, FIN 419, FIN 430, FIN 490 or FIN 493**  **Course can be taken twice when selecting different topics.	_____
Emphasis*	6	See Emphasis Requirements Below	_____

**19 Classes**

**\*Emphasis Requirements** (Choose **ONE** option):

Option #1: Accounting Emphasis  
The following two courses (six credits) are required:

- ACC 401 and ACC 402

Option #2: Economics Emphasis  
Two courses (six credits) from the following are required:

- ECON 302 *and*
- ECON 303 *or* ECON 463

**Course Sequencing and Pre-Requisites on Back. Please flip over.**



This resource is not intended to substitute for Academic Advisement. Students are still encouraged to meet with their advisors, and are ultimately responsible for checking their MyNEVADA Academic Requirements report to ensure all degree and graduation requirements are met. (Go to: [Student Center Dashboard](#) > [My Academics](#) > [Academic Requirements](#))

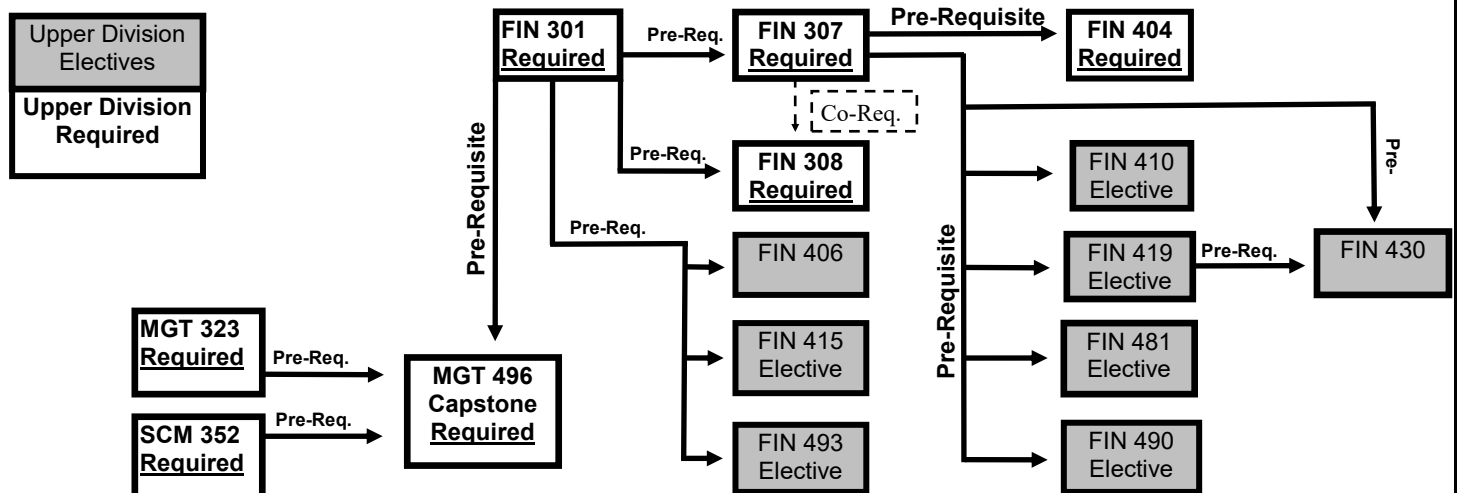
## FOUR SEMESTER – COURSE PLANNING IDEAS

<p><b><u>Ideal 1st Semester JR</u></b>          *Fin 301          MGT 325          Econ 334 or 442          SCM 352          IS 301</p>	<p><b><u>Ideal 2nd Semester JR</u></b>          *Fin 307          Fin 308          Fin Elective          MGT 323          ACC 401 or Econ 302</p>
<p><b><u>Ideal 1st Semester SR</u></b>          Fin 404          Fin Elective—Any          Fin Elective –Any          MGT 321          ACC 402 or Econ 303 or 463</p>	<p><b><u>Ideal 2nd Semester SR</u></b>          MGT 496          Fin Elective—Any          Fin Elective—Any          Econ 304          Gen. Elect.—If needed</p>

### ADVISING TAKEAWAYS

- FIN 307 should be taken immediately after taking FIN 301
- Start working on your FIN electives as soon as possible; do not wait until your last semester to take all of them!
- **FIN 493 courses** may be taken two times and can be used as an upper-division FIN elective, as long as they are different topics

## FINANCE MAJOR CLASS PRE-REQUISITE FLOW CHART



### ALL MAJORS

#### Enrolling in your MGT 496 Strategic Management Capstone Course

- Typically taken in your last semester
- Prerequisites: ENG 102; CH 201 or CH 202 or CH 203 or CH 212, MGT 323, FIN 301, SCM 352

#### Graduation Requirements

- 120+ credits earned to meet Bachelor's degree requirements
- 2.0+ UNR, Cumulative, Major, AND Minor GPAs
- 30+ upper-division credits earned at UNR
- 40+ upper-division credits required for degree
- 60+ credits earned at a four-year institution (TRANSFER students – this especially applies to you!)**

#### Applying for Graduation

Eligible students **must** submit graduation applications in MyNEVADA by:

- March 1st for Spring graduation (application opens November 1st)
- June 1st for Summer graduation (application opens March 21<sup>st</sup>)
- October 1st for Fall graduation (application opens April 1st)