



CATALOG YEAR: 2020-2021

**TOTAL LISTED: 108-121 CREDITS**  
(120 CREDITS NEEDED TO GRADUATE)

**Silver Core Curriculum (GE) Requirements**

Subject	Credits	Courses	Completed
English <i>(CO1, 3)</i>	3-8	ENG 101 or ENG 100J ENG 102	_____ _____
Mathematics <i>(CO2)</i>	3-6	MATH 126 or MATH 126E MATH 176	_____ _____
Natural Science <i>(CO4L, CO4)</i>	6-8	CO4L course CO4L or CO4 course	_____ _____
Humanities <i>(CO5)</i>	3	CH 201, 202, or 212 <i>Completed @UNR or TMCC Only</i>	_____
Social Science	6	ANTH 101, BUS 101, Fin 101, ENT 200, PSC 211, PSC 231, PSY 101, SOC 101	_____ _____
Fine Arts <i>(CO7)</i>	3	Search "Core Fine Arts" at www.unr.edu	_____
Constitution <i>(CO8)</i>	3	CH 203 <i>Completed @UNR or TMCC Only</i> <i>*AP History Scores—Consult Advisor First</i>	_____
Speech Course	3	COM 101, 113, 217 or 329	_____

**Pre-Business Core**

Subject	Credits	Courses	Completed
Accounting	6	ACC 201 ACC 202	_____ _____
Economics	6	ECON 102 <i>(CO6)</i> ECON 103	_____ _____
Statistics	6	ECON 261 ECON 262	_____ _____
Information Systems	3	IS 101	_____
Mathematics	<i>(Counted in Core)</i>	MATH 176	<i>(Counted in Core)</i>
Marketing	3	MKT 210	_____

**Electives 20 Classes**

Electives	0-12	Nonbusiness or business	<b>Note:</b> Electives may be needed to meet the <i>minimum</i> graduation requirement of 120 credits
-----------	------	-------------------------	---

**Four-Year Credit Requirement:** Half of the total credits required for this degree (60/120) must be completed at UNR or another regionally accredited, four-year institution.

Visit <http://catalog.unr.edu> for detailed Silver Core Curriculum and Graduation requirements, and Course Descriptions. Contact the Student Success Center at (775) 784-4912 for more information.

**Upper-Division COB/Core Requirements**

Subject	Credits	Courses	Completed
Writing	3	MGT 321 or ENG 321	_____
Law	3	MGT 325 or ACC 460 <i>Bridge Course</i>	_____
Information Systems	3	IS 301 <i>Completed @ UNR Only</i> <i>(CO9) &amp; Bridge Course</i>	_____
Management	6	MGT 323 MGT 496 <i>Completed @ UNR Only</i> <i>(CO12, 13, 14)</i>	_____ _____
Supply Chain Management	3	SCM 352	_____
Finance	3	FIN 301	_____
Diversity and Equity <i>(CO10)</i> <i>Completed @UNR Only</i>	3	Any CO10 Course Accepted Recommended ECON 305 <i>(+CO11)</i> MKT 456 <i>(+CO11)</i>	_____
International Business <i>(CO11)</i> <i>Completed @UNR Only</i>	3	ECON 305 <i>(+CO10)</i> , ECON 359, ECON 461, ECON 462, ECON 463, FIN 308, MGT 480 or MKT 456 <i>(+CO10)</i>	_____

**ACC & IS Major Requirements**

Students must earn a grade of **C** or better in any Accounting course that is a prerequisite for another upper-division Accounting course, including ACC 201/202. Upper-division accounting courses may be taken a maximum of two (2) times.

Subject	Credits	Courses	Completed
Accounting Requirements	12	ACC 401 ACC 402 ACC 405 ACC 470	_____ _____ _____ _____
Information Systems Requirements	15	IS 201 IS 350 or CS 135 IS 365 IS 445 IS 470	_____ _____ _____ _____ _____
Upper-Division ACC or IS Elective	3	ACC 325, ACC 410, IS 360, IS 389, IS 460, IS 475, IS 477 or IS 481	_____

**18/19 Classes**

**Course Sequencing and Prerequisites on Back. Please flip over.**



This resource is not intended to substitute for Academic Advisement. Students are still encouraged to meet with their advisors, and are ultimately responsible for checking their MyNEVADA Academic Requirements report to ensure all degree and graduation requirements are met. (Go to: [Student Center Dashboard](#) > [My Academics](#) > [Academic Requirements](#))

## FOUR SEMESTER – COURSE PLANNING IDEAS

### Ideal 1st Semester JR

IS 301  
ACC 401  
ACC 405  
Com 101, 113, 217, 329  
MGT 321 or ENG 321

### Ideal 2nd Semester JR

\*\*ACC 402  
\*\*IS 350  
\*IS 365  
MGT 323  
SCM 352

### Ideal 1st Semester SR

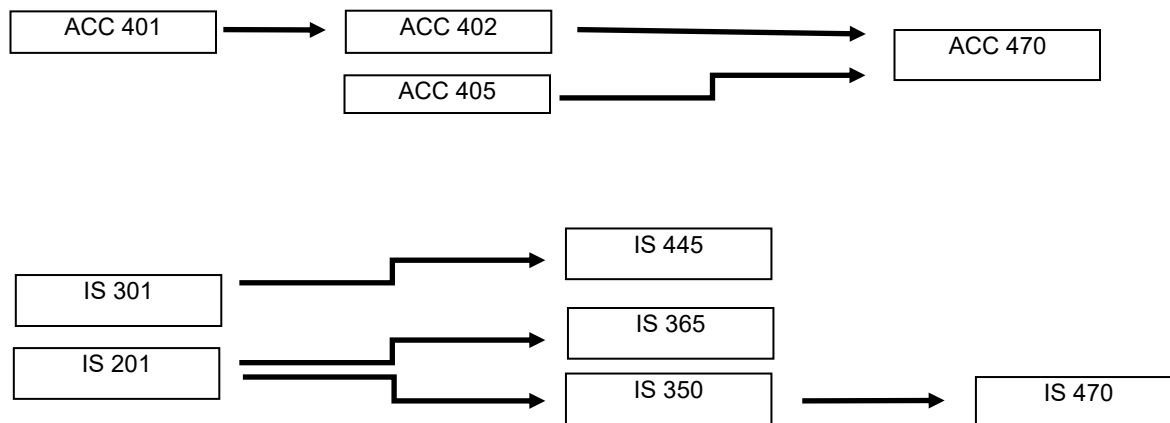
\*IS 470  
\*IS 445  
\*Econ 305—CO10 & 11  
Fin 301  
MGT 325

### Ideal 2nd Semester SR

\*MGT 496  
ACC 470  
ACC/IS Elective  
Gen. Elect.—If Needed

## ADVISING TAKEAWAYS

- **Take IS 201 while taking the Pre-Bus Core**
  - IS 201 is NOT pre-requisite to IS 301
- Upper division IS courses are typically not offered during the Summer
- Econ 305 is usually offered only during the Fall semester.
- All ACC courses that are prerequisites to other ACC courses require a grade of C or better. You can only attempt an upper division accounting course twice, if you do not get a C or better on either attempt, you must change your major.



## ALL MAJORS

### Enrolling in your MGT 496 Strategic Management Capstone Course

- Typically taken in your last semester
- Prerequisites: ENG 102; CH 201 or CH 202 or CH 203 or CH 212, MGT 323, FIN 301, SCM 352

### Graduation Requirements

120+ credits earned to meet Bachelor's degree requirements  
2.0+ UNR, Cumulative, Major, AND Minor GPAs  
30+ upper-division credits earned at UNR  
40+ upper-division credits required for degree

**60+ credits earned at a four-year institution (TRANSFER students – this especially applies to you!)**

### Applying for Graduation

Eligible students **must** submit graduation applications in MyNEVADA by:

- March 1st for Spring graduation (application opens November 1st)
- June 1st for Summer graduation (application opens March 21<sup>st</sup>)
- October 1st for Fall graduation (application opens April 1st)