



Silver Core Curriculum (GE) Requirements

Subject	Credits	Courses	Completed
English <i>(CO1, 3)</i>	3-8	ENG 101 or ENG 100i ENG 102	_____ _____
Mathematics <i>(CO2)</i>	3-6	MATH 126EE, MATH 126E or MATH 126 MATH 176	_____ _____
Natural Science <i>(CO4L, CO4)</i>	6-8	CO4L course CO4L or CO4 course	_____ _____
Humanities <i>(CO5)</i>	3	CH 201 or 202 @ UNR or TMCC Only	_____
Social Science	6	ANTH 101, BUS 101, FIN 101, ENT 200, PSC 211, PSC 231, PSY 101, SOC 101	_____ _____
Fine Arts <i>(CO7)</i>	3	Search "Core Fine Arts" at www.unr.edu	_____
Constitution <i>(CO8)</i>	3	CH 203 @ UNR or TMCC Only	_____
Speech Course	3	COM 101, 113, 217 or 329	_____

Pre-Business Core

Subject	Credits	Courses	Completed
Accounting	6	ACC 201 (C or better) ACC 202 (C or better)	_____ _____
Economics	6	ECON 102 <i>(CO6)</i> ECON 103	_____ _____
Statistics	6	ECON 261 ECON 262	_____ _____
Information Systems	3	IS 101	_____
Mathematics	<i>(Counted in Core)</i>	MATH 176	<i>(Counted in Core)</i>
Marketing	3	MKT 210	_____

Electives **20 Classes**

Electives	2-12	Nonbusiness or business	Note: Electives may be needed to meet the <i>minimum</i> graduation requirement of 120 credits
-----------	------	-------------------------	---

Four-Year Credit Requirement: Half of the total credits required for this degree (60/120) must be completed at UNR or another regionally accredited, four-year institution.

Visit <http://catalog.unr.edu> for detailed Silver Core Curriculum, Graduation Requirements, and Course Descriptions.

Upper-Division COB/Core Requirements

Subject	Credits	Courses	Completed
Writing	3	MGT 321 or ENG 321	_____
Law	3	ACC 460 or MGT 325 <i>Bridge Course</i>	_____
Information Systems	6	IS 201 IS 301 @ UNR Only <i>(CO9) & Bridge Course</i>	_____ _____
Management	6	MGT 323 <i>Bridge Course</i> MGT 496 @ UNR Only <i>(CO12, 13, 14)</i>	_____ _____
Supply Chain Management	3	SCM 352	_____
Finance	3	FIN 301	_____
Diversity and Equity <i>(CO10)</i>	3	ECON 305 <i>(+CO11)</i> , MKT 456 <i>(+CO11)</i> , ECON 334 or ECON 442 @ UNR Only	_____
International Business <i>(CO11)</i>	3	ECON 305 <i>(+CO10)</i> , ECON 359, ECON 461, ECON 462, ECON 463, FIN 308, MGT 480 or MKT 456 <i>(+CO10)</i> @ UNR Only	_____

NOTE: Minimum of 12 of the required 18 upper-division Accounting credits must be completed at UNR. Transfer courses are not included in the calculation of major GPA (2.0 is required for graduation). Upper-division Accounting courses may be taken a maximum of two times.

ACC Major Requirements

Students must earn a grade of **C** or better in any Accounting course that is a prerequisite for another upper-division Accounting course, including ACC 201/202.

Subject	Credits	Courses	Completed
Accounting Requirements	18	ACC 401 ACC 402 ACC 403 ACC 405 ACC 410 ACC 470	_____ _____ _____ _____ _____ _____
Upper-Division Accounting Electives	6	ACC 325, ACC 404, ACC 407, ACC 411, ACC 415, ACC 475, ACC 490*, ACC 494*, ECON 304, IS 365, FIN 307, or FIN 410 *Requires Faculty Approval	_____ _____

17/18 Classes

Course Sequencing and Prerequisites on Back. Please flip over.



This resource is not intended to substitute for Academic Advisement. Students are still encouraged to meet with their advisors, and are ultimately responsible for checking their MyNEVADA Academic Requirements report to ensure all degree and graduation requirements are met. (Go to: [Student Center Dashboard](#) > [My Academics](#) > [Academic Requirements](#))

FOUR SEMESTER – COURSE PLANNING IDEAS

Ideal 1st Semester JR

*ACC 401
ACC 410
FIN 301
MGT 323
MGT 321 *or* ENG 321

Ideal 2nd Semester JR

*ACC 402
*ACC 405
IS 301
SCM 352
ACC 460 *or* MGT 325

Ideal 1st Semester SR

*ACC 403
*ACC 470
ACC Elective
2nd Social Science
ECON 334 *or* 442

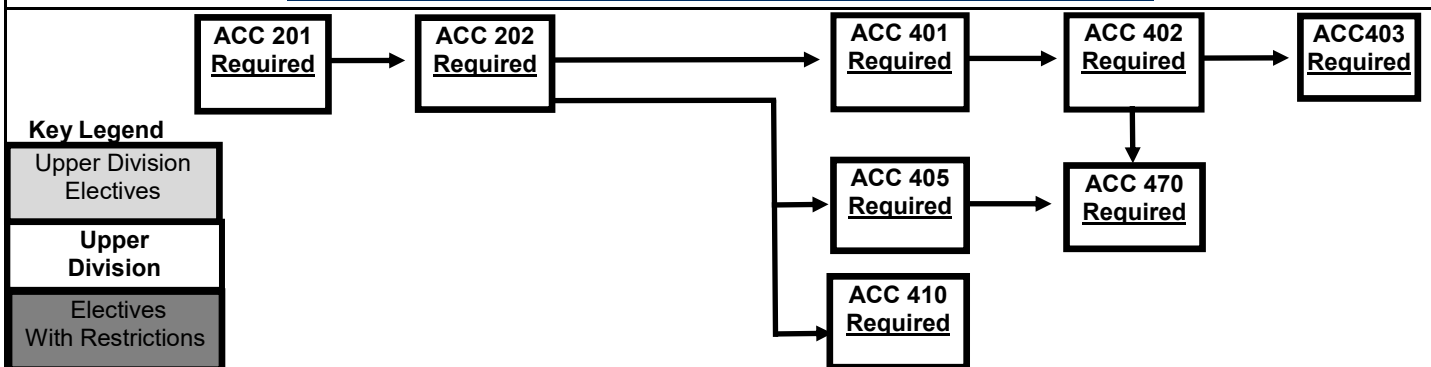
Ideal 2nd Semester SR

*MGT 496
International Business Requirement
ACC Elective
General Elect. (3 Credits)
General Elect. (3 Credits)

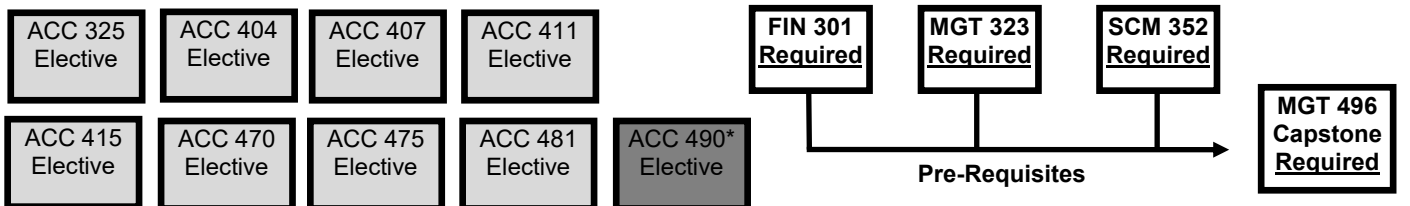
ADVISING TAKEAWAYS

- A 2.0 GPA is needed for all courses taken for the ACC major, including IS 201
- **All ACC courses that are prerequisites to other ACC courses require a C grade or better**
- **You can only attempt an Upper-Division course TWICE**
 - If you do not get a C on either attempt, you will need to change your major

ACCOUNTING MAJOR CLASS PRE-REQUISITE FLOW CHART



Accounting Electives: Pre-requisites vary—See Catalog



ALL MAJORS

Enrolling in your MGT 496 Strategic Management Capstone Course

- Typically taken in your last semester
- Prerequisites: ENG 102; CH 201 or CH 202 and CH 203, MGT 323, FIN 301, SCM 352

Graduation Requirements

120+ credits earned to meet Bachelor's degree requirements
 2.0+ UNR, Cumulative, Major, AND Minor GPAs
 30+ upper-division credits earned at UNR
 40+ upper-division credits required for degree
60+ credits earned at a four-year institution (TRANSFER students – this especially applies to you!)

Applying for Graduation

Eligible students **must** submit graduation applications in MyNEVADA by:

- March 1 for Spring graduation (application opens November 1)
- June 1 for Summer graduation (application opens March 21)
- October 1 for Fall graduation (application opens April 1)