

PRECISION LOAD CELL UNIVERSAL / TENSION OR COMPRESSION

SBO SERIES



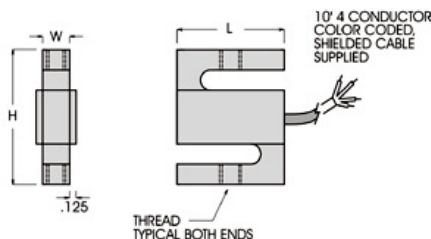
CAPACITY RANGES:
50, 100, 200, 300, 500, 750,
1,000, 2,000, 3,000, 5,000 LBS.

SBO Series load cells are offered for tension or compression applications for precision weight and force measurements. Applications might include conveyor scales, check weighers, and counting scales. SBO Series 50 through 1,000 lbs. are anodized aluminum and 2,000 through 5,000 lbs. ranges are made from 17-4ph heat treated stainless steel. The sensing element incorporates bonded foil strain gages of the highest quality and are sealed for protection against most industrial environments.



SPECIFICATIONS

- Rated Output (R.O.): 3 mV/V nominal
- Nonlinearity: 0.05% of R.O.
- Hysteresis: 0.03% of R.O.
- Nonrepeatability: 0.02% of R.O.
- Creep in 20 Min: 0.03% of R.O.
- Zero Balance: 1.0% of R.O.
- Compensated Temp. Range: 15° to 115°F
- Safe Temp. Range: -65° to 200°F
- Temp. Effect on Output: 0.08% of Load/°F
- Temp. Effect on Zero: 0.08% of R.O./°F
- Terminal Resistance: 350 ohms nominal
- Excitation Voltage: 10 VDC
- Safe Overload: 150% of R.O.
- Calibration Included: Compression
- Optional Calibration: Tension



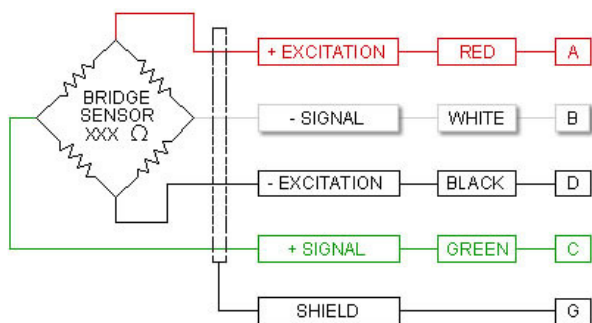
DIMENSIONS (INCHES)

MODEL	CAPACITY LBS.	L	W	H	THREAD
SB0-50	50	2.0	0.5	2.5	3/8-24
SB0-100	100	2.0	0.5	2.5	3/8-24
SB0-200	200	2.0	0.5	2.5	3/8-24
SB0-300	300	2.0	0.5	2.5	3/8-24
SB0-500	500	2.0	1.0	3.0	1/2-20
SB0-750	750	2.0	1.0	3.0	1/2-20
SB0-1K	1,000	2.0	1.0	3.0	1/2-20
SB0-2K	2,000	2.0	1.0	3.0	1/2-20
SB0-3K	3,000	2.0	1.0	3.0	1/2-20
SB0-5K	5,000	2.5	1.5	3.5	5/8-18

Wiring Color Code (WCC1)

4 Conductor

Internal Temperature Compensation and Balance Network Not Shown



CAL-TEDS Plug & Play Option

AD9 (9 PIN "D" Series) Connector attached to the end of a Load Cell or Torque sensor cable with a TEDS (Transducer Electric Data Sheet) EPPROM. Used with a Smart Plug & Play IEEE 1451.4 Compliant instrument, (shown on right), the Load Cell and Instrument will self calibrate. This option is a real time saver.

>> [Learn more about Plug & Play Smart Sensors](#)



SSI LOAD CELL DISPLAY
 SMART PLUG & PLAY HAND-HELD INDICATOR WITH DATA LOGGING
 IEEE 1451.4 COMPLIANT
 \$675

>> [More info](#)



DPM-3 LOAD CELL DISPLAY
 SMART PLUG & PLAY DIGITAL PANEL MOUNT LOAD CELL METER
 IEEE 1451.4 COMPLIANT
 \$395

>> [More info](#)

The Load Cells below come with Calibration in Compression

Order Code Model	Capacity Range	Description	Price	Quantity	Add to Cart
SB0-50	Capacity: 50 lbs	Calibration in Compression	\$325	1	Buy Now
SB0-100	Capacity: 100 lbs	Calibration in Compression	\$325	1	Buy Now
SB0-200	Capacity: 200 lbs	Calibration in Compression	\$325	1	Buy Now
SB0-300	Capacity: 300 lbs	Calibration in Compression	\$325	1	Buy Now
SB0-500	Capacity: 500 lbs	Calibration in Compression	\$325	1	Buy Now
SB0-750	Capacity: 750 lbs	Calibration in Compression	\$325	1	Buy Now
SB0-1K	Capacity: 1,000 lbs	Calibration in Compression	\$325	1	Buy Now
SB0-2K	Capacity: 2,000 lbs	Calibration in Compression	\$425	1	Buy Now
SB0-3K	Capacity: 3,000 lbs	Calibration in Compression	\$425	1	Buy Now
SB0-5K	Capacity: 5,000 lbs	Calibration in Compression	\$525	1	Buy Now
OPTION-TC	N/A	Tension Calibration Option	\$75	1	Buy Now
Options					
CAL-TEDS	N/A	Plug & Play Option with Connector	\$55	1	Buy Now

