



COMPRESSION ONLY / THRU HOLE LOAD WASHER LOAD CELL

LWO SERIES



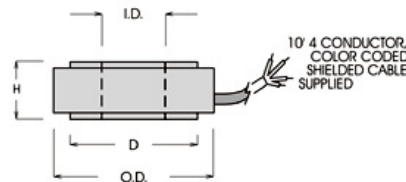
**CAPACITY RANGES:
2,400 THROUGH 300,000 LBS.**

The LWO Series are washer shaped, strain gage based load cells that have been most commonly used in fastener testing and thru hole load applications. Our stocked ranges from 2,400 through 300,000 lbs. compression are made from 17-4ph heat treated stainless steel and are matched to bolt diameters and their specific load characteristics. Modifications of diameters, thicknesses, or load range to a specific diameter for OEM applications are welcomed. The sensing element incorporates bonded foil strain gages of the highest quality and are sealed for protection against most industrial environments.



SPECIFICATIONS

- Rated Output (R.O.): 2 mV/V nominal
- Nonlinearity: 2.0% of R.O.
- Hysteresis: 2.0% of R.O.
- Nonrepeatability: 1.0% of R.O.
- Zero Balance: 1.0% of R.O.
- Compensated Temp. Range: 60° to 160°F
- Safe Temp. Range: -65° to 200°F
- Temp. Effect on Output: 0.005% of Load/°F
- Temp. Effect on Zero: 0.01% of R.O./°F
- Terminal Resistance: 350 ohms nominal
- Excitation Voltage: 10 VDC
- Safe Overload: 150% of R.O.
- Deflection Inches: 0.001 @ R.O.

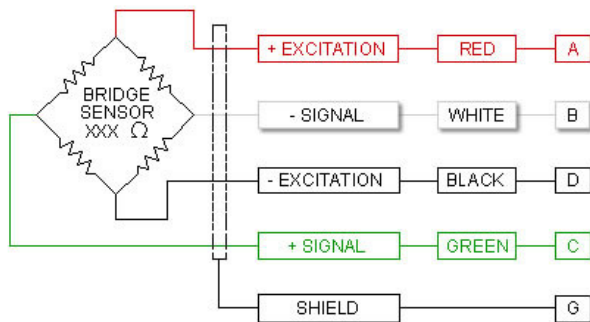


DIMENSIONS (INCHES)

| MODEL | CAPACITY LBS. | O.D. DIA. | I.D. DIA. | D | H |
|---------|---------------|-----------|-----------|-------|-------|
| LWO-2 | 2,400 | .85 | .192 | .345 | .350 |
| LWO-4 | 4,000 | .85 | .262 | .400 | .350 |
| LWO-7 | 7,000 | .85 | .326 | .520 | .350 |
| LWO-10 | 10,000 | .85 | .390 | .620 | .350 |
| LWO-14 | 14,000 | 1.00 | .454 | .725 | .350 |
| LWO-20 | 20,000 | 1.00 | .517 | .850 | .350 |
| LWO-25 | 25,000 | 1.25 | .580 | .960 | .350 |
| LWO-30 | 30,000 | 1.25 | .644 | 1.040 | .350 |
| LWO-45 | 45,000 | 1.50 | .770 | 1.200 | .375 |
| LWO-60 | 60,000 | 1.75 | .897 | 1.490 | .500 |
| LWO-80 | 80,000 | 2.00 | 1.024 | 1.710 | .500 |
| LWO-80A | 80,000 | 2.00 | 1.150 | 1.790 | .500 |
| LWO-125 | 125,000 | 2.37 | 1.279 | 2.140 | .625 |
| LWO-190 | 190,000 | 3.00 | 1.533 | 2.640 | .875 |
| LWO-260 | 260,000 | 3.50 | 1.787 | 3.000 | 1.250 |
| LWO-300 | 300,000 | 3.75 | 2.041 | 3.300 | 1.370 |

Wiring Color Code (WCC1)**4 Conductor**

Internal Temperature Compensation and Balance Network Not Shown

**CAL-TEDS Plug & Play Option**

AD9 (9 PIN "D" Series) Connector attached to the end of a Load Cell or Torque sensor cable with a TEDS (Transducer Electric Data Sheet) EPPROM. Used with a Smart Plug & Play IEEE 1451.4 Compliant instrument, (shown on right), the Load Cell and Instrument will self calibrate. This option is a real time saver.

[» Learn more about Plug & Play Smart Sensors](#)



SSI LOAD CELL DISPLAY
SMART PLUG & PLAY HAND-HELD INDICATOR WITH DATA LOGGING
IEEE 1451.4 COMPLIANT
\$675

[» More info](#)



DPM-3 LOAD CELL DISPLAY
SMART PLUG & PLAY DIGITAL PANEL MOUNT LOAD CELL METER
IEEE 1451.4 COMPLIANT
\$395

[» More info](#)

| Order Code | Model | Capacity Range | Description | Price | Quantity | Add to Cart |
|----------------|-------|-----------------------|-----------------------------------|-------|--------------------------------|-------------------------|
| LW0-2 | | Capacity: 2,400 lbs | Compression Load Washer | \$390 | <input type="text" value="1"/> | Buy Now |
| LW0-4 | | Capacity: 4,000 lbs | Compression Load Washer | \$390 | <input type="text" value="1"/> | Buy Now |
| LW0-7 | | Capacity: 7,000 lbs | Compression Load Washer | \$400 | <input type="text" value="1"/> | Buy Now |
| LW0-10 | | Capacity: 10,000 lbs | Compression Load Washer | \$400 | <input type="text" value="1"/> | Buy Now |
| LW0-14 | | Capacity: 14,000 lbs | Compression Load Washer | \$400 | <input type="text" value="1"/> | Buy Now |
| LW0-20 | | Capacity: 20,000 lbs | Compression Load Washer | \$400 | <input type="text" value="1"/> | Buy Now |
| LW0-25 | | Capacity: 25,000 lbs | Compression Load Washer | \$400 | <input type="text" value="1"/> | Buy Now |
| LW0-30 | | Capacity: 30,000 lbs | Compression Load Washer | \$435 | <input type="text" value="1"/> | Buy Now |
| LW0-45 | | Capacity: 45,000 lbs | Compression Load Washer | \$435 | <input type="text" value="1"/> | Buy Now |
| LW0-60 | | Capacity: 60,000 lbs | Compression Load Washer | \$475 | <input type="text" value="1"/> | Buy Now |
| LW0-80 | | Capacity: 80,000 lbs | Compression Load Washer | \$485 | <input type="text" value="1"/> | Buy Now |
| LW0-80A | | Capacity: 80,000 lbs | Compression Load Washer | \$500 | <input type="text" value="1"/> | Buy Now |
| LW0-125 | | Capacity: 125,000 lbs | Compression Load Washer | \$550 | <input type="text" value="1"/> | Buy Now |
| LW0-190 | | Capacity: 190,000 lbs | Compression Load Washer | \$625 | <input type="text" value="1"/> | Buy Now |
| LW0-260 | | Capacity: 260,000 lbs | Compression Load Washer | \$675 | <input type="text" value="1"/> | Buy Now |
| LW0-300 | | Capacity: 300,000 lbs | Compression Load Washer | \$725 | <input type="text" value="1"/> | Buy Now |
| Options | | | | | | |
| CAL-TEDS | | N/A | Plug & Play Option with Connector | \$55 | <input type="text" value="1"/> | Buy Now |

[Home](#) | [Support](#) | [About Us](#) | [Contact Us](#)

Buy Online or Call
800-344-3965



[Warranty / Repair](#) | [Terms & Conditions](#)

© Copyright 2011 Transducer Techniques, Inc., All Rights Reserved.