



## LOW PROFILE UNIVERSAL TENSION OR COMPRESSION LOAD CELL

### LPU SERIES



#### CAPACITY RANGES:

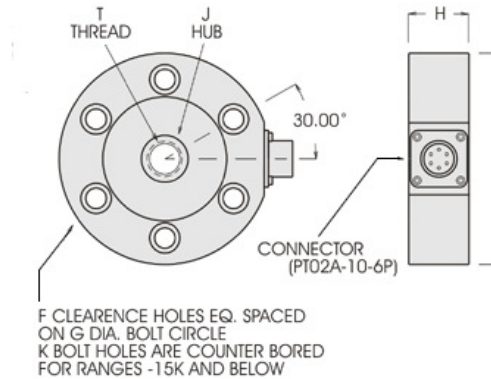
**100, 250, 500, 1,000, 2,000, 3,000,  
4,000, 5,000, 7,500, 10,000, 15,000,  
20,000, 30,000, 50,000 LBS.**

Our LPU Series are low profile, universal tension or compression "pancake" type load cells. They are available in 14 ranges from 100 lbs. through 50,000 lbs. Hold down bolt holes are provided through the outer diameter and a threaded hole provided through the center for pushing or pulling from either end. The ALB load buttons located in our accessories section, are ideal for compression applications. The LPU Series are made from 17-4ph heat treated stainless steel. The sensing element incorporates bonded foil strain gages of the highest quality and are sealed for protection against most industrial environments.



### SPECIFICATIONS

- Rated Output (R.O.): 3 mV/V nominal
- Nonlinearity: 0.1% of R.O.
- Hysteresis: 0.1% of R.O.
- Nonrepeatability: 0.05% of R.O.
- Zero Balance: 1.0% of R.O.
- Compensated Temp. Range: 60° to 160°F
- Safe Temp. Range: -65° to 200°F
- Temp. Effect on Output: 0.005% of Load/°F
- Temp. Effect on Zero: 0.001% of R.O./°F
- Terminal Resistance: 350 ohms nominal
- Excitation Voltage: 10 VDC
- Safe Overload: 150% of R.O.
- Calibration Included: Compression
- Optional Calibration: Tension

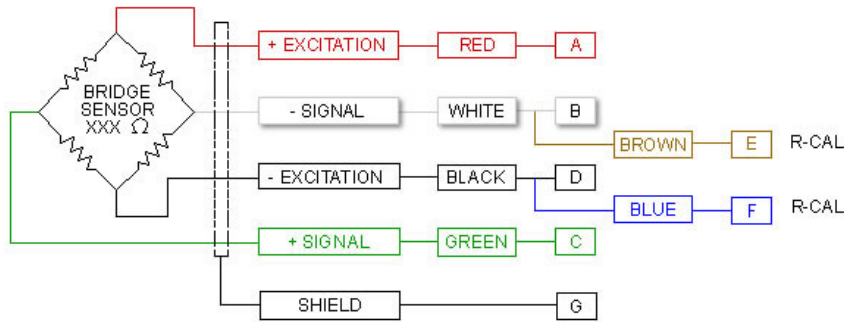


### DIMENSIONS (INCHES)

MODEL	CAPACITY LBS.	D	H	F	G	K	J	T
LPU-100	100	3.0	1.0	6	2.25	.28	.625	3/8-24 UNF
LPU-250	250	3.0	1.0	6	2.25	.28	.625	3/8-24 UNF
LPU-500	500	3.0	1.0	6	2.25	.28	.625	3/8-24 UNF
LPU-1K	1,000	3.0	1.0	6	2.25	.28	.625	3/8-24 UNF
LPU-2K	2,000	3.5	1.0	6	2.63	.34	.775	1/2-20 UNF
LPU-3K	3,000	3.5	1.0	6	2.63	.34	.775	1/2-20 UNF
LPU-4K	4,000	3.5	1.0	6	2.63	.34	.775	1/2-20 UNF
LPU-5K	5,000	3.5	1.0	6	2.63	.34	.775	1/2-20 UNF
LPU-7.5K	7,500	5.5	1.8	8	4.50	.41	1.450	1-14 UNS
LPU-10K	10,000	5.5	1.8	8	4.50	.41	1.450	1-14 UNS
LPU-15K	15,000	5.5	1.8	8	4.50	.41	1.450	1-14 UNS
LPU-20K	20,000	6.0	1.8	8	4.88	.53	2.125	1 1/2-12 UNF
LPU-30K	30,000	6.0	1.8	8	4.88	.53	2.125	1 1/2-12 UNF
LPU-50K	50,000	6.0	1.8	8	4.88	.53	2.125	1 1/2-12 UNF

**Wiring Color Code (WCC2) 6 Conductor**

Internal Temperature Compensation and Balance Network Not Shown



**CAL-TEDS Plug & Play Option**

AD9 (9 PIN "D" Series) Connector attached to the end of a Load Cell or Torque sensor cable with a TEDS (Transducer Electronic Data Sheet) EPROM. Used with a Smart Plug & Play IEEE 1451.4 Compliant instrument, (shown on right), the Load Cell and Instrument will self calibrate. This option is a real time saver.

>> [Learn more about Plug & Play Smart Sensors](#)



**SSI LOAD CELL DISPLAY**  
 SMART PLUG & PLAY HAND-HELD INDICATOR WITH DATA LOGGING  
 IEEE 1451.4 COMPLIANT  
 \$675

>> [More info](#)



**DPM-3 LOAD CELL DISPLAY**  
 SMART PLUG & PLAY DIGITAL PANEL MOUNT LOAD CELL METER  
 IEEE 1451.4 COMPLIANT  
 \$395

>> [More info](#)

**The Load Cells below come with Calibration in Compression**

Order Code Model	Capacity Range	Description	Price	Quantity	Add to Cart
LPU-100	100 LBS.	Calibrated in Compression	\$550	<input type="text" value="1"/>	<a href="#">Buy Now</a>
LPU-250	250 LBS.	Calibrated in Compression	\$550	<input type="text" value="1"/>	<a href="#">Buy Now</a>
LPU-500	500 LBS.	Calibrated in Compression	\$550	<input type="text" value="1"/>	<a href="#">Buy Now</a>
LPU-1K	1K LBS.	Calibrated in Compression	\$550	<input type="text" value="1"/>	<a href="#">Buy Now</a>
LPU-2K	2K LBS.	Calibrated in Compression	\$550	<input type="text" value="1"/>	<a href="#">Buy Now</a>
LPU-3K	3K LBS.	Calibrated in Compression	\$550	<input type="text" value="1"/>	<a href="#">Buy Now</a>
LPU-4K	4K LBS.	Calibrated in Compression	\$550	<input type="text" value="1"/>	<a href="#">Buy Now</a>
LPU-5K	5K LBS.	Calibrated in Compression	\$550	<input type="text" value="1"/>	<a href="#">Buy Now</a>
LPU-7.5K	7.5K LBS.	Calibrated in Compression	\$660	<input type="text" value="1"/>	<a href="#">Buy Now</a>
LPU-10K	10K LBS.	Calibrated in Compression	\$660	<input type="text" value="1"/>	<a href="#">Buy Now</a>
LPU-15K	15K LBS.	Calibrated in Compression	\$660	<input type="text" value="1"/>	<a href="#">Buy Now</a>
LPU-20K	20K LBS.	Calibrated in Compression	\$770	<input type="text" value="1"/>	<a href="#">Buy Now</a>
LPU-30K	30K LBS.	Calibrated in Compression	\$770	<input type="text" value="1"/>	<a href="#">Buy Now</a>
LPU-50K	50K LBS.	Calibrated in Compression	\$770	<input type="text" value="1"/>	<a href="#">Buy Now</a>
<b>Options</b>					
OPTION-TC	0 to 20000 lbs.	Tension Calibration Option	\$75	<input type="text" value="1"/>	<a href="#">Buy Now</a>
OPTION-TC-1	21000 lbs to 50000 lbs.	Tension Calibration Option	\$150	<input type="text" value="1"/>	<a href="#">Buy Now</a>
CAL-TEDS	N/A	Plug & Play Option with Connector	\$55	<input type="text" value="1"/>	<a href="#">Buy Now</a>
<b>ONE AMP-T6 NEEDED PER LPU SERIES LOAD CELL</b>					
AMP-T6	N/A	Mating Assembly 6 Cond	\$60	<input type="text" value="1"/>	<a href="#">Buy Now</a>



