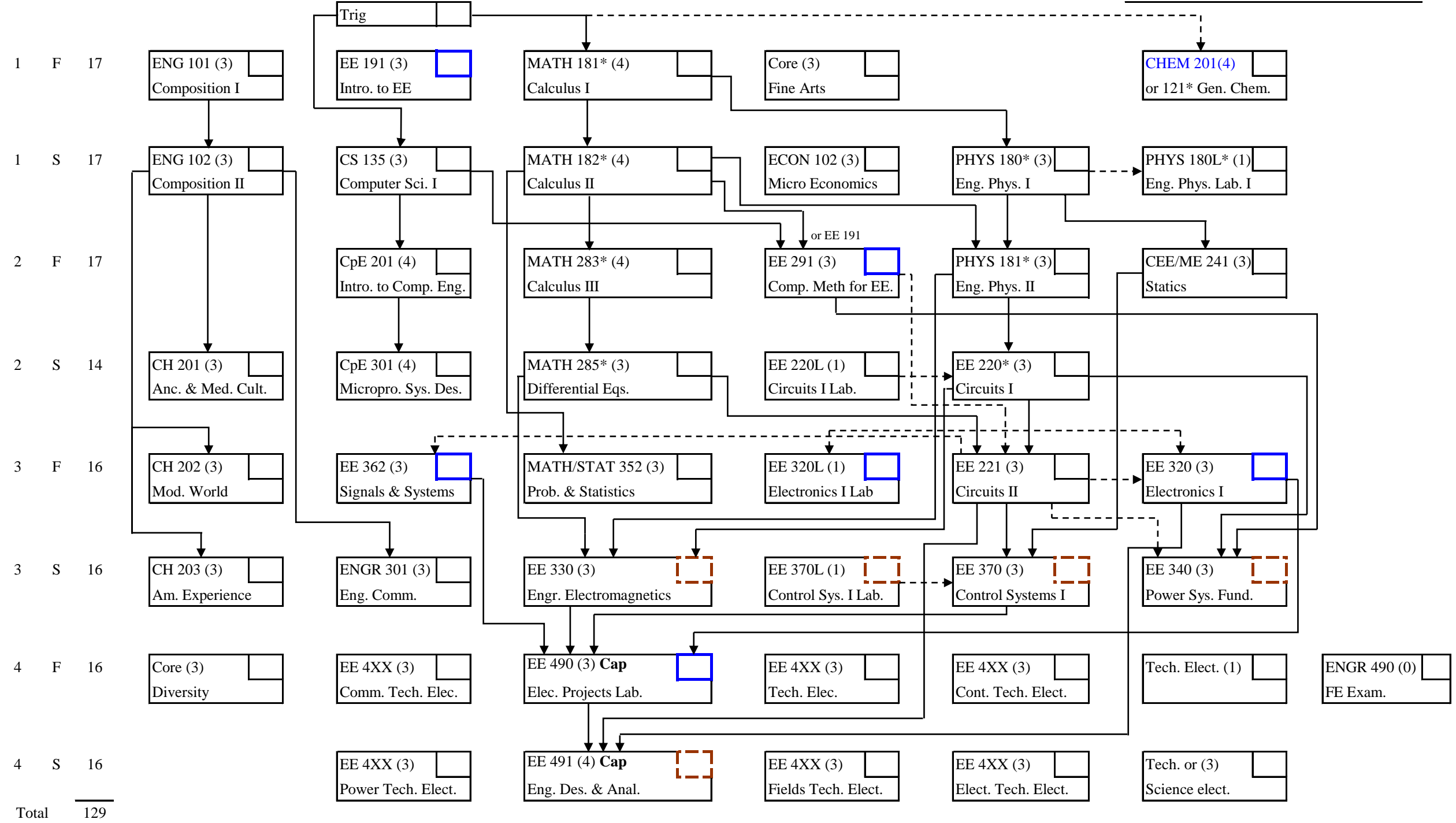


# RECOMMENDED FOUR YEAR CURRICULUM FOR ELECTRICAL ENGINEERS

Name: \_\_\_\_\_  
Date: **12/30/08**

Yr. Sem Crs

University of Nevada Reno 2008 - 2009 Catalog



Prerequisite     
  Corequisite     
  Fall only course     
  Spring only course